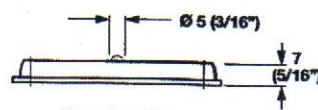
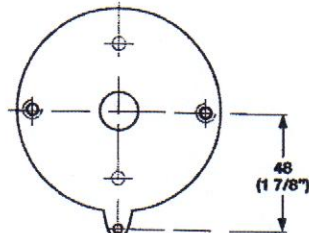
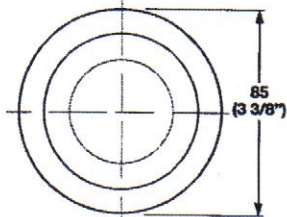
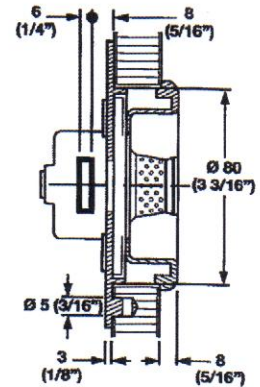
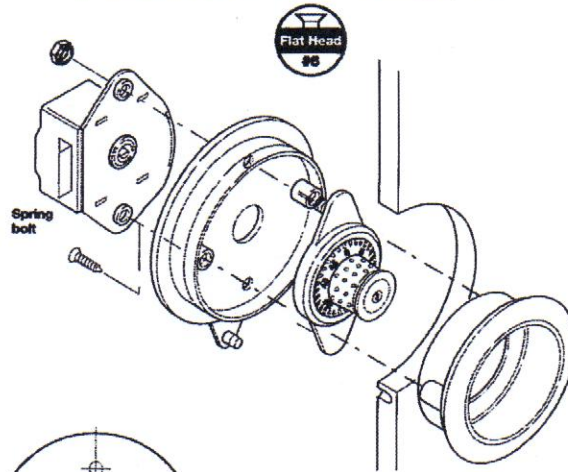
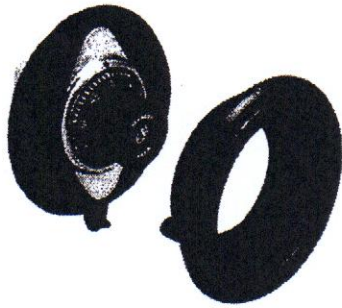


### Mastercombi Locker Locks

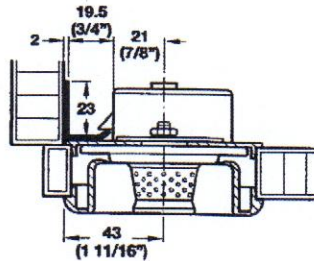
Specially designed for Häfele. This trim piece, used in combination with the Mastercombi Lock, creates a clean professional look in wood doors.

Mastercombi in connection with a Häfele Flush Handle for installation in wood doors 19 mm (3/4") thick.



Covering plate

Mounting plate



#### Special Flush Handle

((Special Strike Plate required, order below))

Material: nylon

Text  
Change

| Color            | Item No.   |
|------------------|------------|
| black (RAL 9005) | 231.14.300 |

\*Packing: 10 pcs.

#### Special Strike Plate

For Mastercombi installations in wood doors.

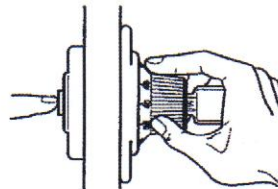
Material: steel

| Finish        | Item No.   |
|---------------|------------|
| nickel-plated | 231.13.706 |

\*Packing: 50 pcs.

#### Setting a new combination on the Mastercombi:

Turn the number dial at least one full turn clockwise, and then set "0" to the red mark. Insert control key and turn 90° clockwise. The spring bolt is now retracted and the door can be opened. Now depress and hold in the spring-loaded button on the rear of the lock housing. At the same time turn the number dial with the other hand 2 divisions clockwise to the "48" mark. Now release the spring-loaded button. Continue turning the dial clockwise until the adjusting spring can be heard to engage. The next combination is now set. Lock the cabinet door and withdraw the control key. **Remember to register the new combination.**



# PADLOCKABLE :: Cam Lock

## DCP :: Padlockable Cam Lock

### GENERAL FEATURES:

**Function:** Cam lock for use with padlock as locking device. Functions on doors or drawers. Ideal for locker applications.

**Through-hole:** 0.4"

**Padlocks:** Available separately from Olympus Lock, Inc.

**Max. material thickness:** 1-1/8"

**Barrel diameter:** 3/4"

**Finish:** US26, US3, US19

**Packaged:** Packed 15 per box

### INCLUDES:

DCNP-500-ARP stabilizer plate

DCP-SC straight 7/8" cam

DCP-LC straight 1-1/4" cam

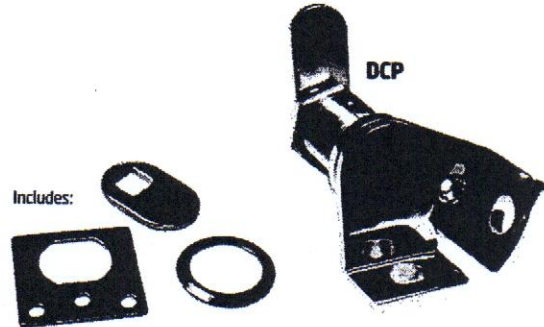
Spacer ring

### OPTIONAL ACCESSORIES:

See cams below.

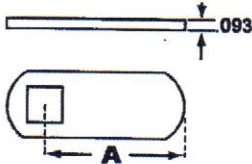
### PADLOCKS:

See Olympus Lock's complete line of brass padlocks at the back of this catalog for use with the DCP. Will also work with most other manufacturer's padlocks with shackle diameter of 3/8" (10 mm) or less.



| Part No. | Finish          | Barrel  | Description  |
|----------|-----------------|---------|--|
| DCP      | US26, US3, US19 | 1-7/32" | Accepts most standard padlocks with a shackle diameter of 3/8" (10 mm) or less |

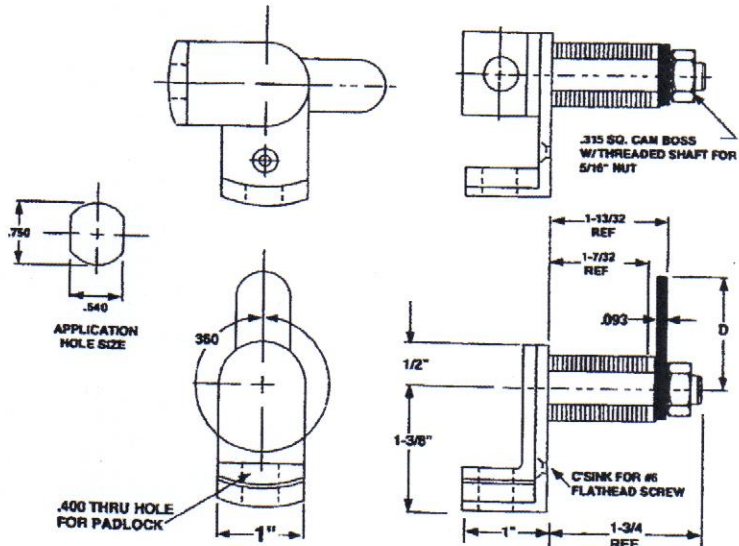
### AVAILABLE CAMS:



#### STRAIGHT CAMS:

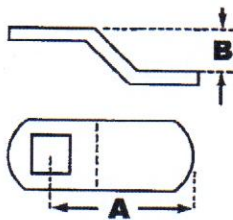
| Part No.   | Dim. A |
|------------|--------|
| DCP-58     | 5/8"   |
| DCP-5C**   | 7/8"   |
| DCP-LC**   | 1-1/4" |
| DCP-LC-112 | 1-1/2" |
| DCP-LC-134 | 1-3/4" |
| DCP-LC-225 | 2-1/4" |
| DCP-LC-250 | 2-1/2" |

\*\*These cams ship standard with each lock



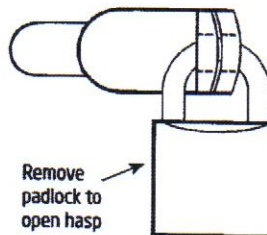
### OFFSET CAMS:

| Part No.    | Dim. A | Dim. B |
|-------------|--------|--------|
| DCP-1-14    | 1"     | 1/4"   |
| DCP-LBC     | 1-1/4" | 1/4"   |
| DCP-118-18  | 1-1/8" | 1/8"   |
| DCP-LBC-138 | 1-3/8" | 3/8"   |
| DCP-LBC-178 | 1-7/8" | 1/2"   |
| DCP-112-14  | 1-1/2" | 1/4"   |



### TYPICAL DOOR CONFIGURATION

#### LOCKED POSITION



#### UNLOCKED POSITION

